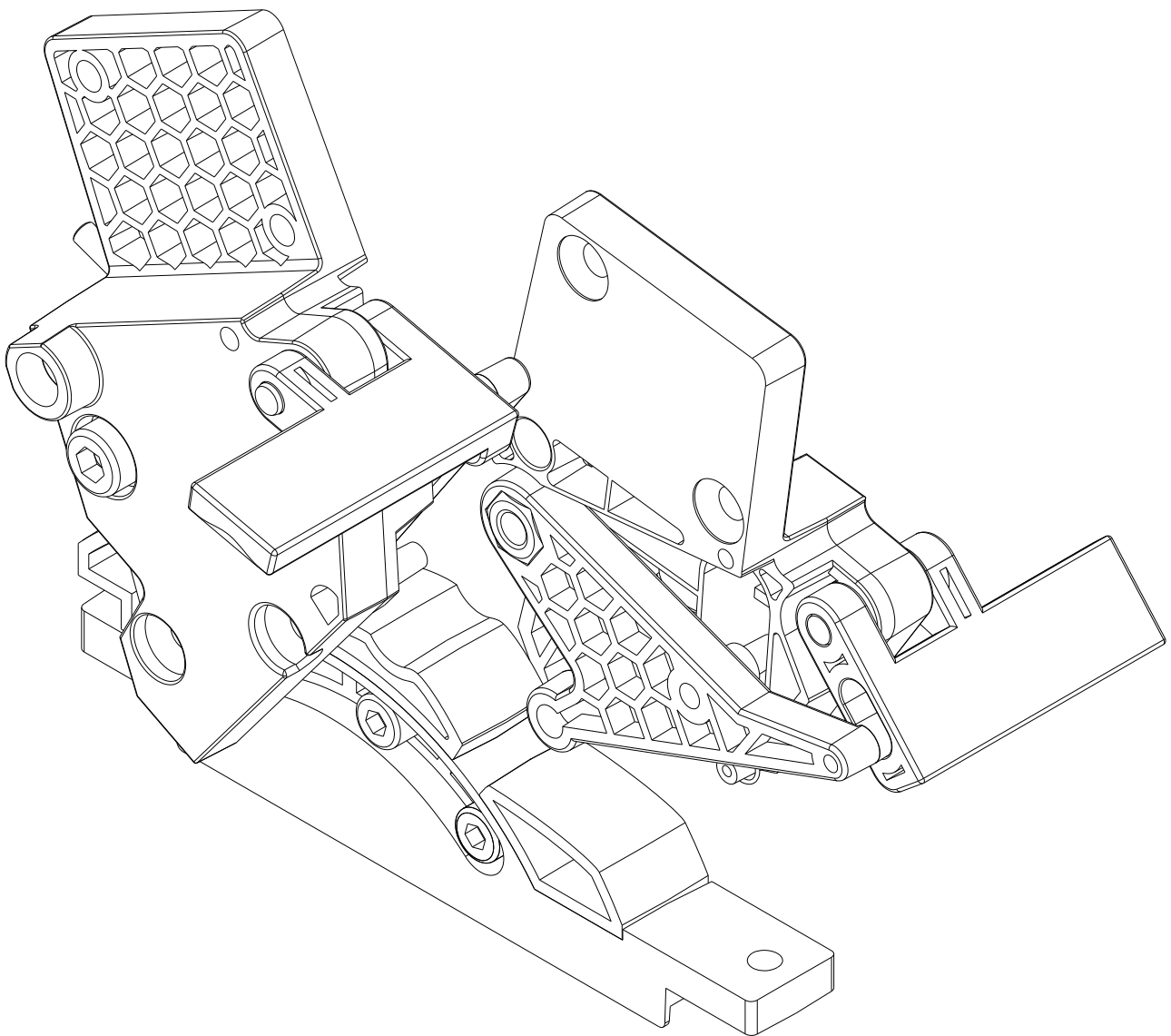


**Finger Lift KIT for Orion 2**

**Finger Lift KIT for Orion(1st Gen)**

**Finger Lift KIT for Gemini**

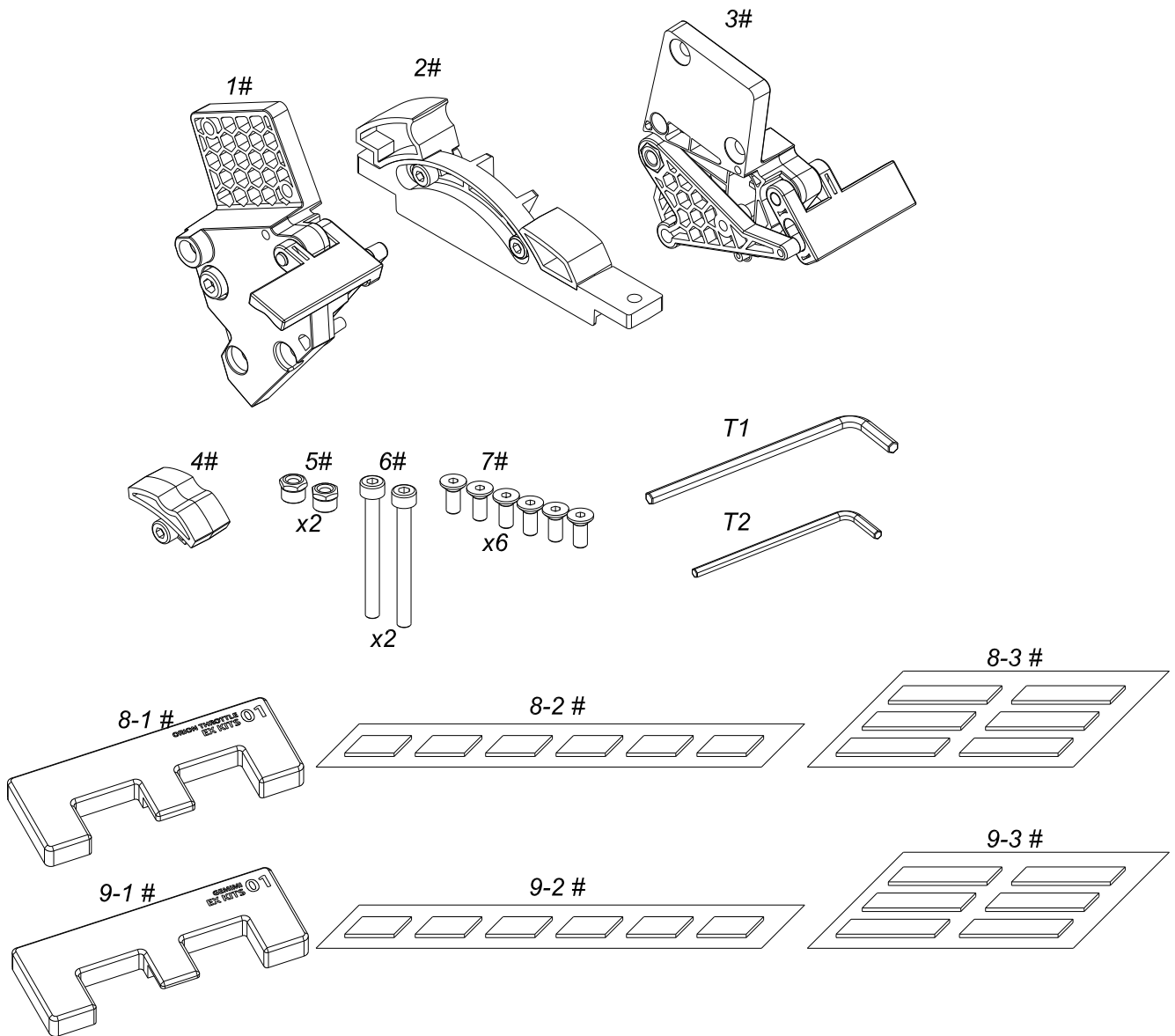
**Manual V1.0 2022.04**



# Content:

Content list.....	1
1 Parameter.....	2
1.1 Performance Parameter.....	2
1.2 Compatible model.....	3
1.3 External measurement.....	3
1.4 Full-size measurement.....	4
2 Assembly.....	5
2.1 Connect with T2-2.....	10
2.2 Connect with T2.....	10
2.3 Connect with T3.....	13
3 Adjustment.....	16
3.1 Center-detent adjustment.....	16
3.2 Idle detent adjustment.....	19
3.3 Afterburner detent adjustment.....	21

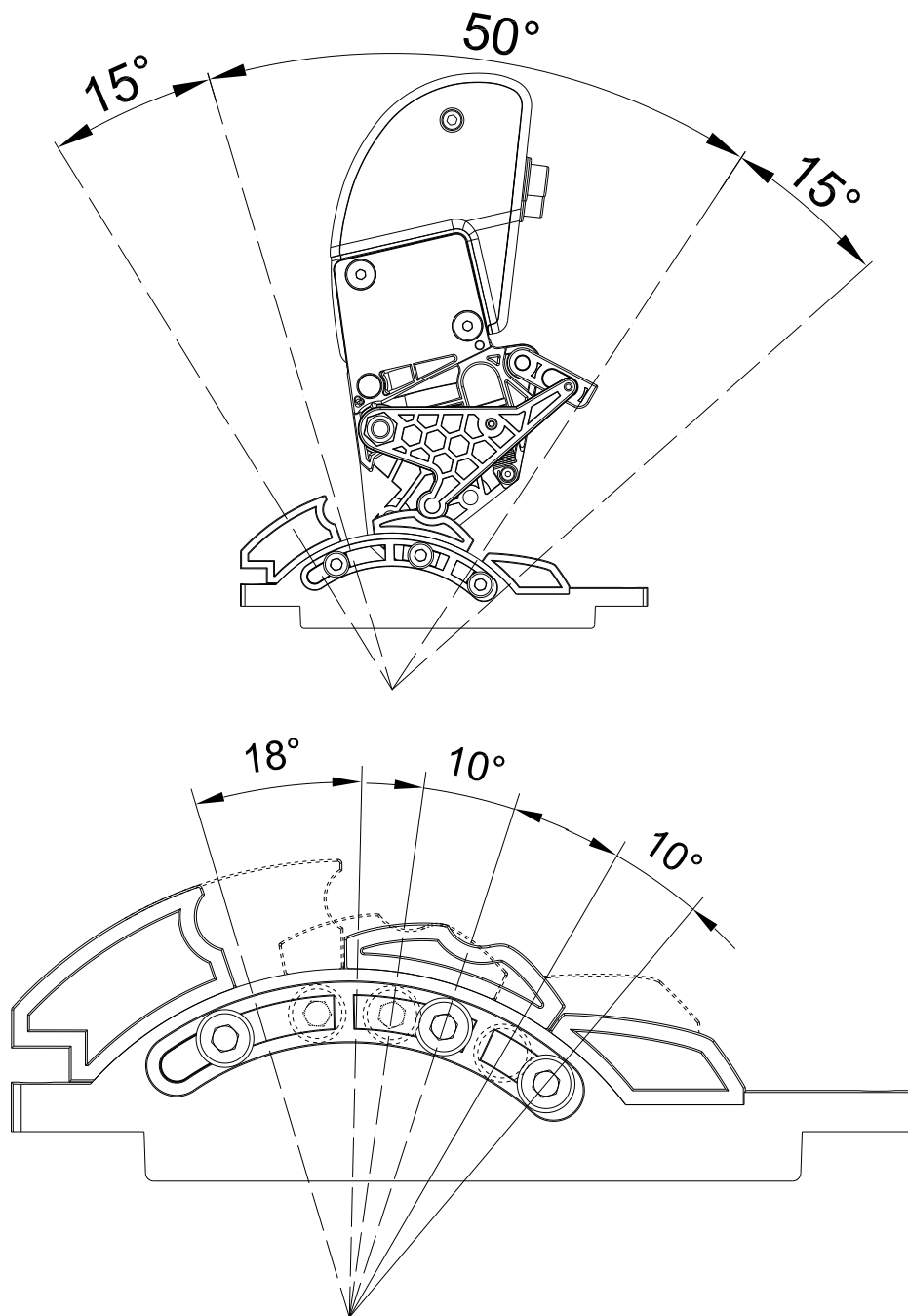
# Content list



①	Assembly 1(1# : Right side Assembly)	1
②	Assembly 2(2# : Detent Assembly)	1
③	Assembly 3(3# : Left side Assembly)	1
④	Parts bag(4#、5#、6#、7#)	1
⑤	Tool bag(T1、T2)	1
⑥	T2P Kit(8-1#、8-2#、8-3#)*Finger Lift KIT for Orion(1st Gen)	1
⑦	T3P Kit(9-1#、9-2#、9-3#)*Finger Lift KIT for Gemini	1

# 1 Parameter

## 1.1 Performance Parameter

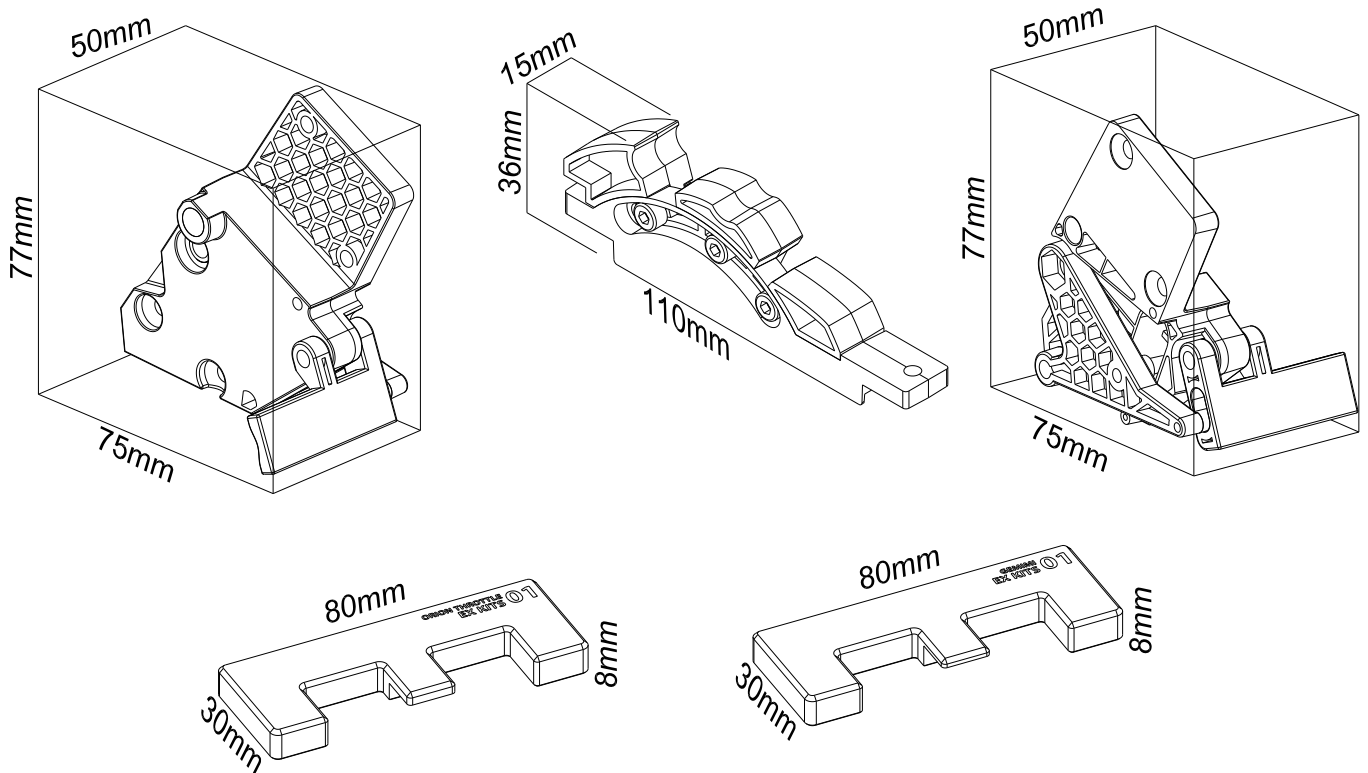


- 1 Total range of travel 80 degrees. (Idle 15, Mil-power 50, AB 15);
- 2 18degree Adjustable idle detent, 10 degree afterburner detent;
- 3 10 degree adjust/removable Mid-detent;
- 4 Removable idle, AB and mid-detent.

## 1.2 Compatible model

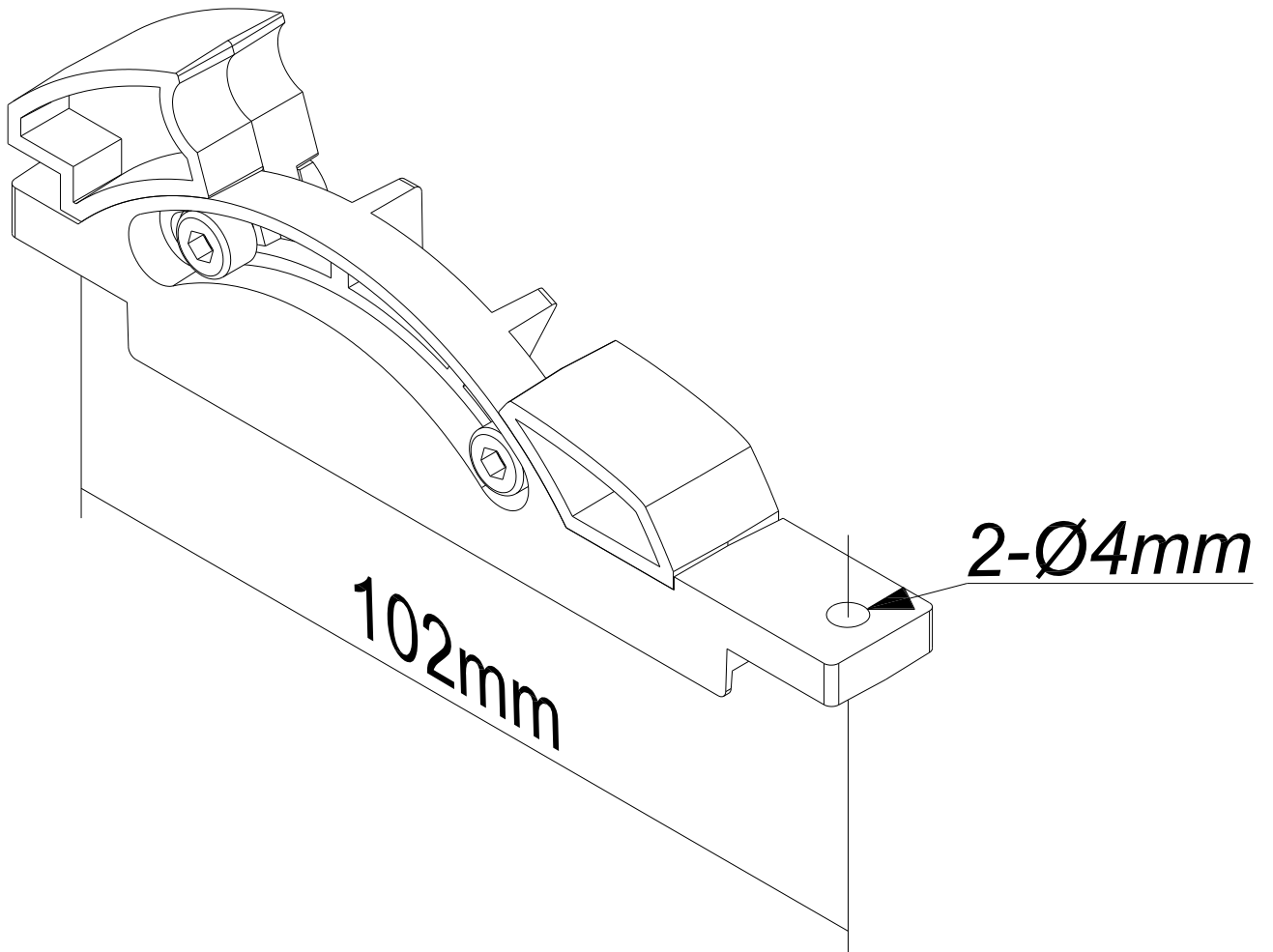
- ① Compatible with T2-2;
- ② With T2P kit, Compatible with T2;
- ③ With T3P kit, Compatible with T3;
- ④ Compatible with THROTTLE HANDLE OF F/A-18 H.O.T.A.S.

## 1.3 External measurement



Mass=0.31lb,0.41Kg.

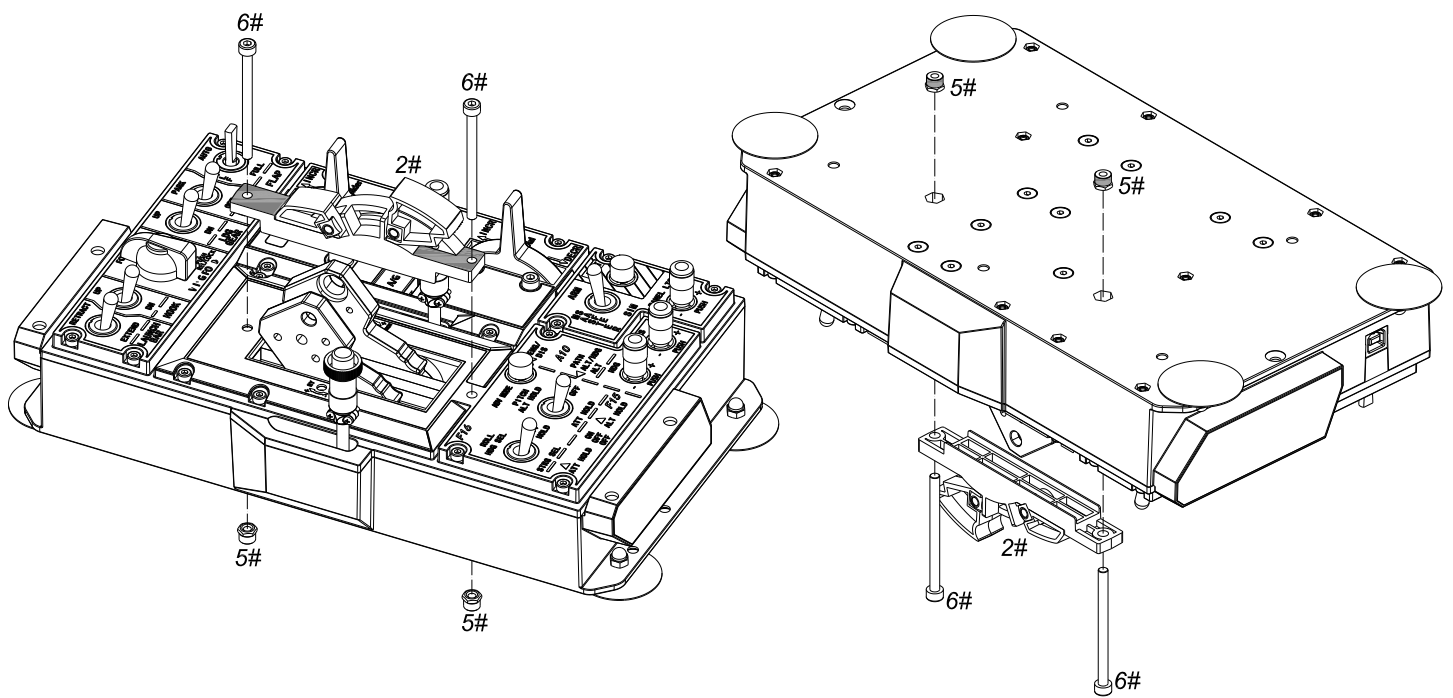
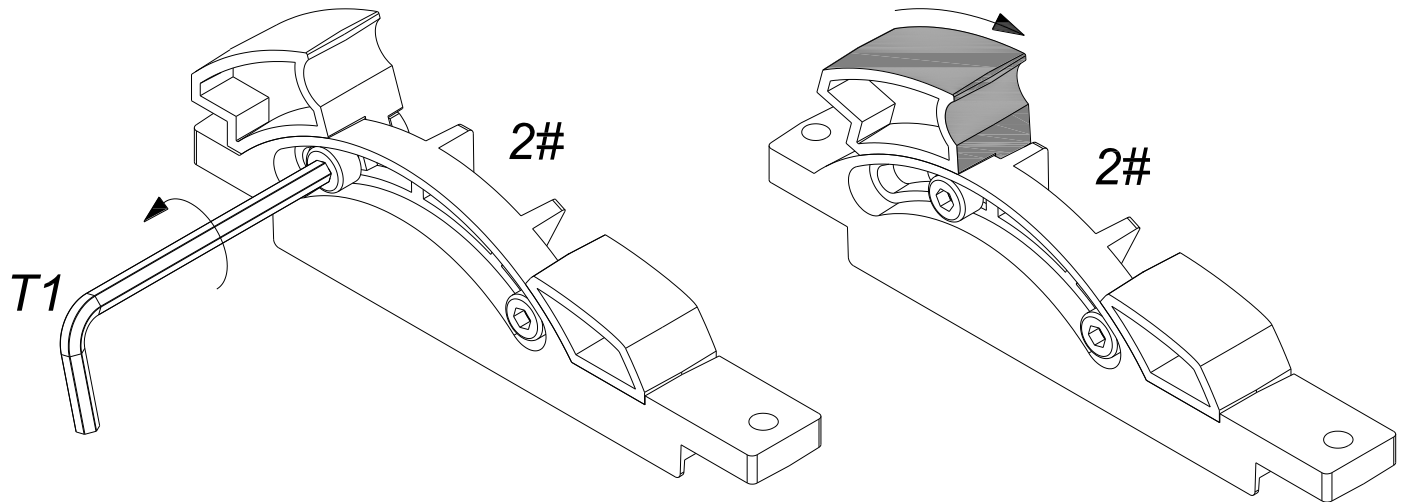
## 1.4 Full-size measurement

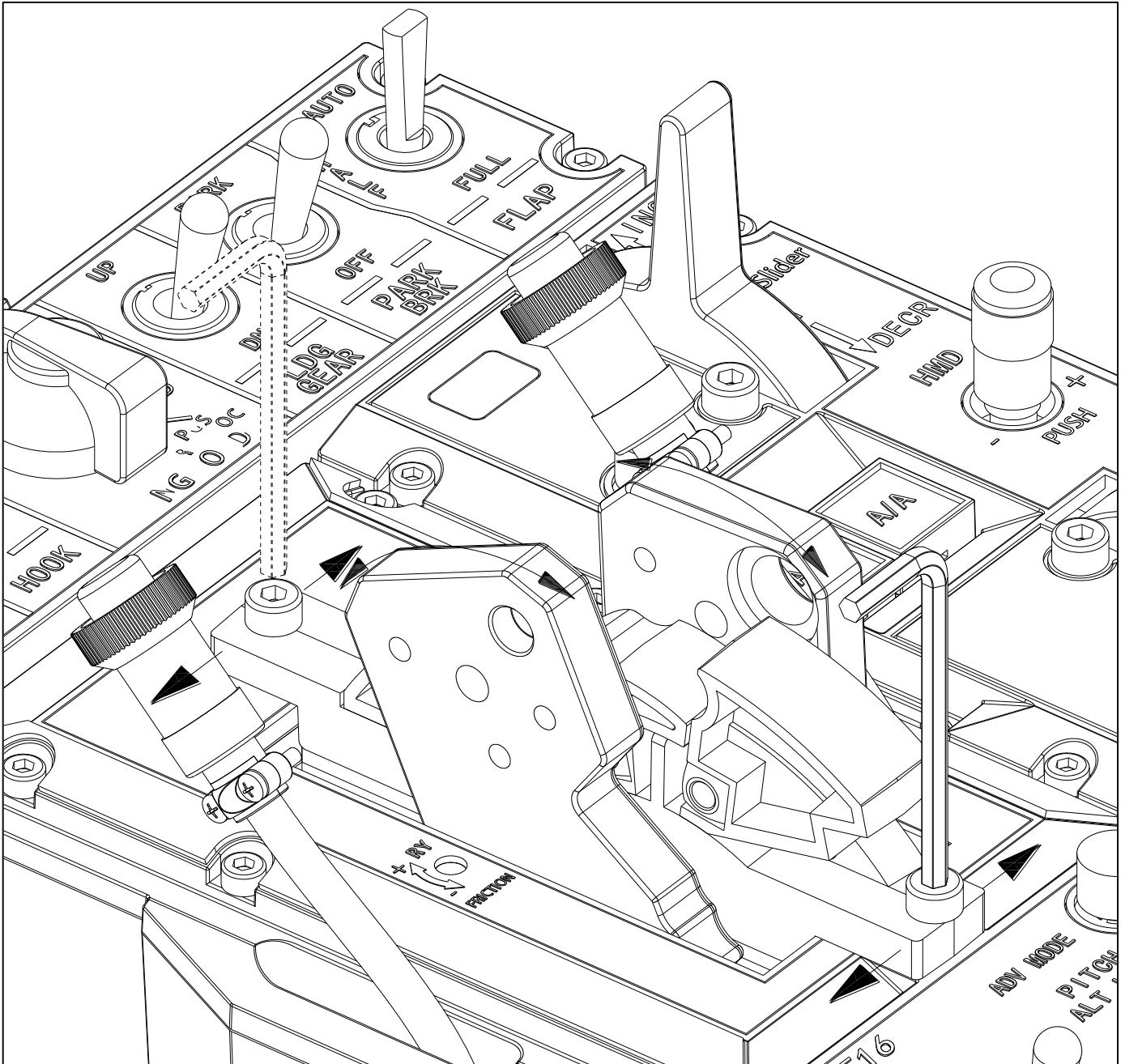


## 2 Assembly

### 2.1 Connect with T2-2

#### 2.1.1 Assembly 2 (2# : Detent Assembly)connecting with T2-2

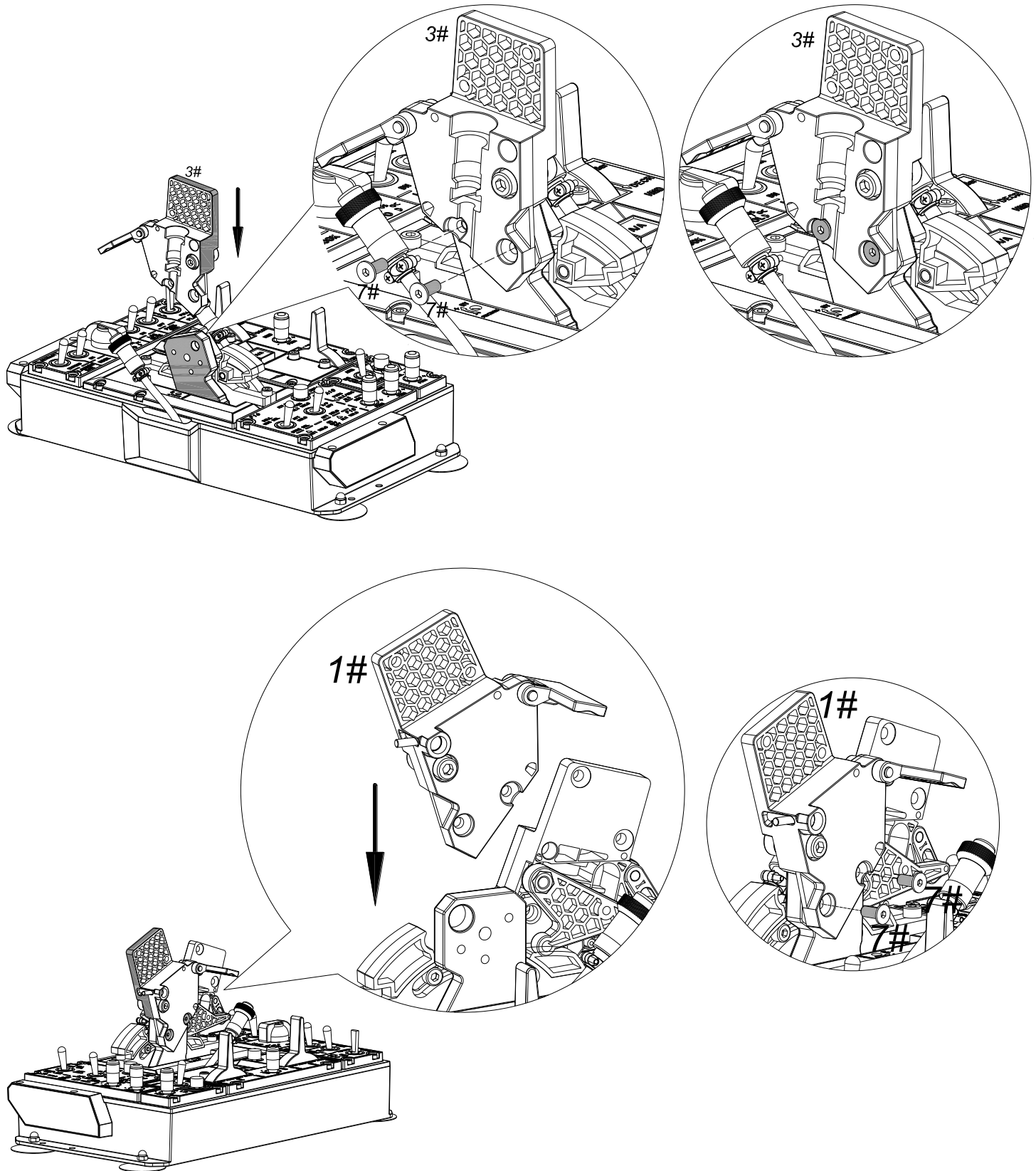


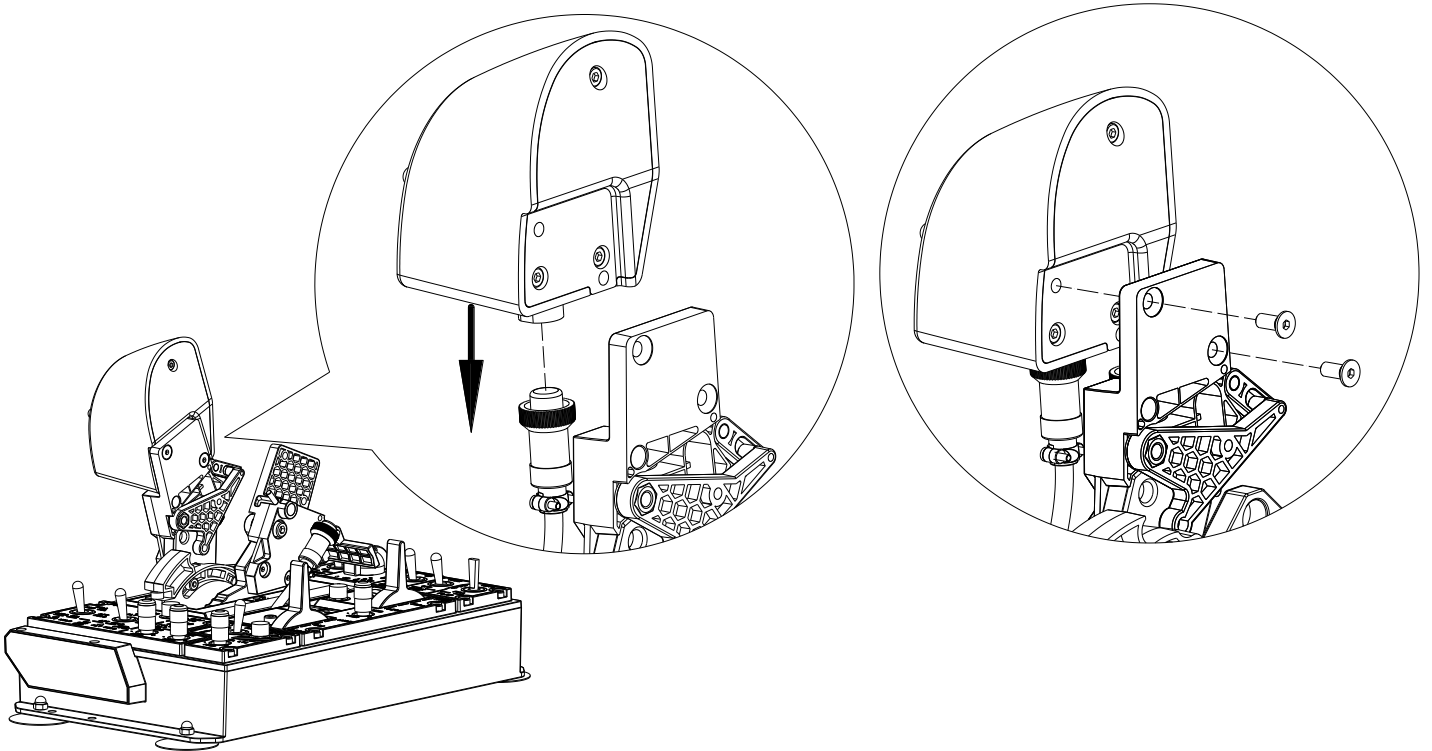
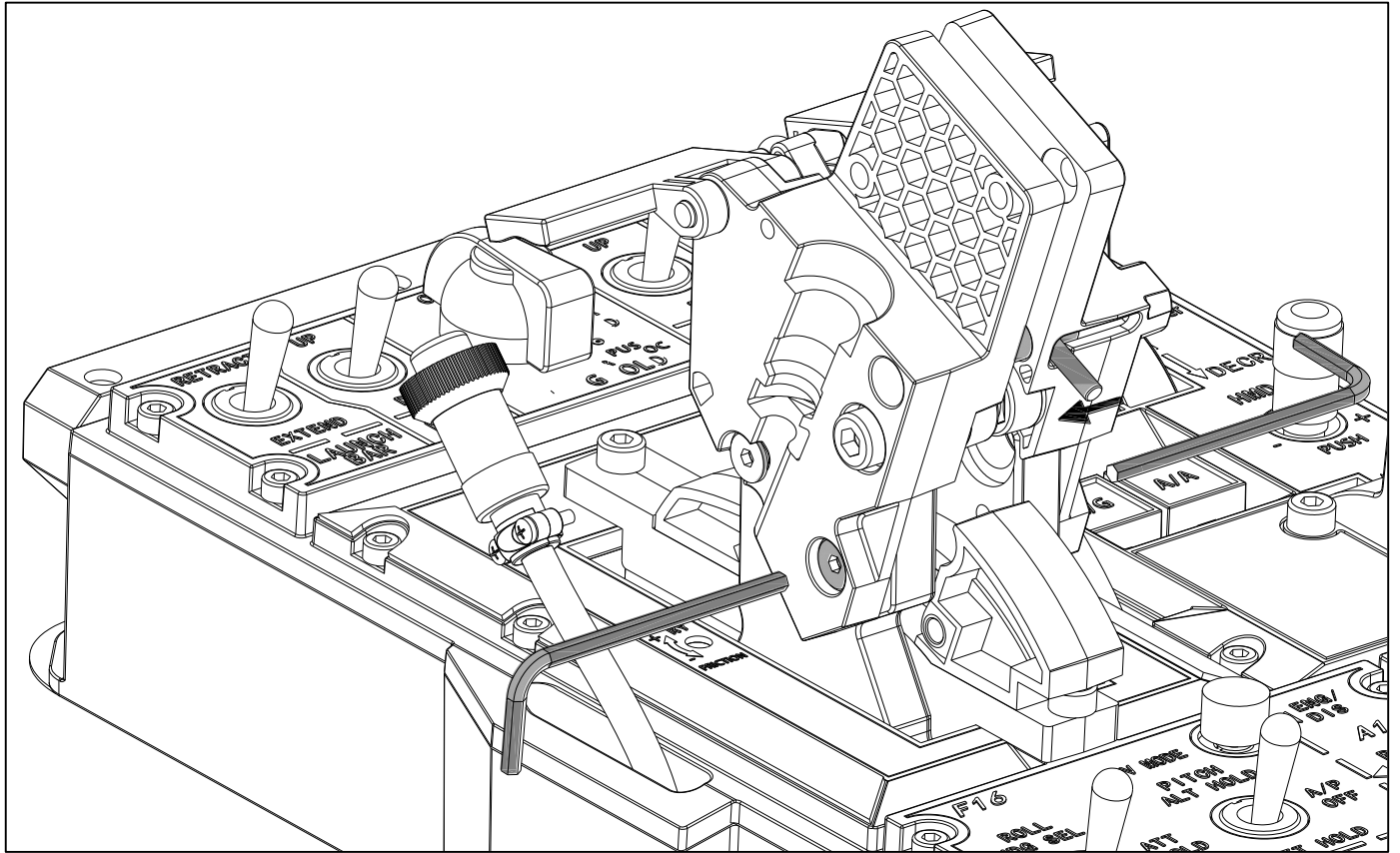


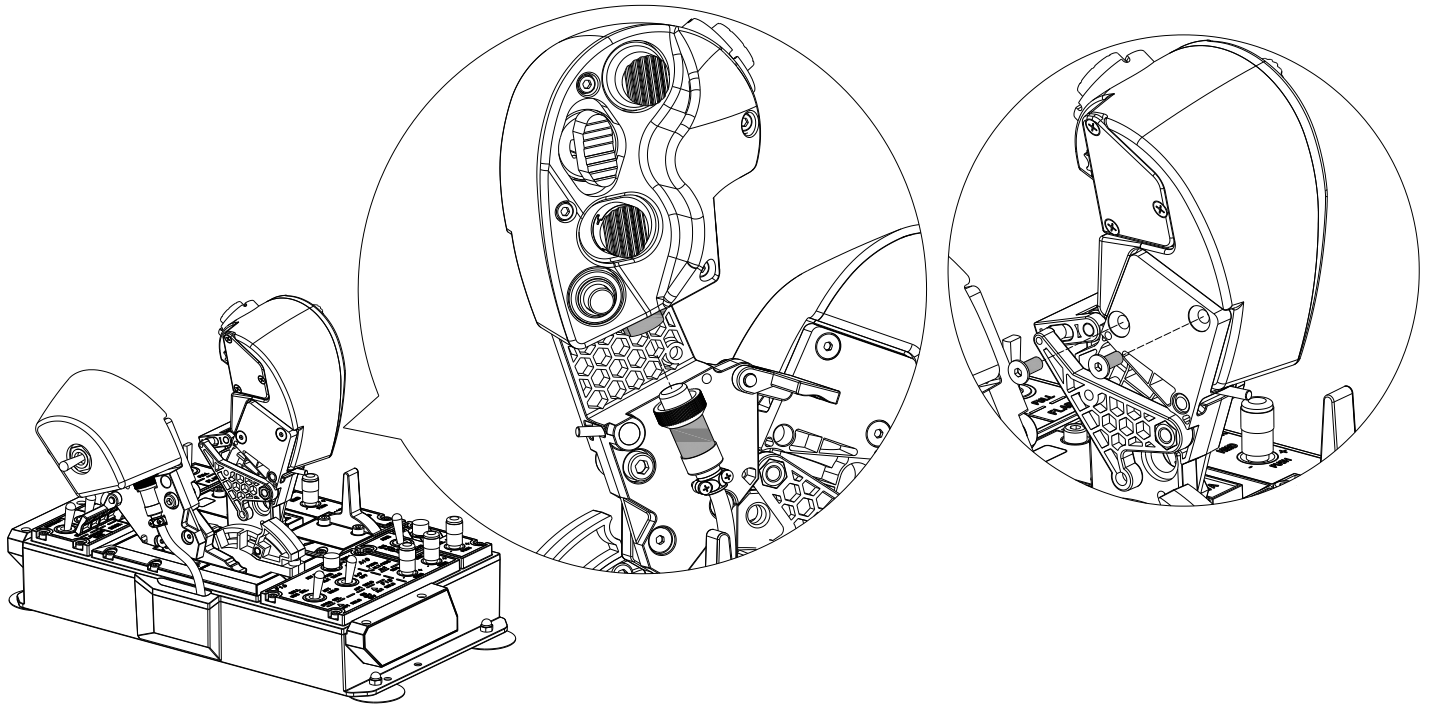
- ① Loosen the screw, move the center detent to mid-range position;
- ② 6# screw will go through the assembly 2(2#), into the installment hole of T2-2; Put in the 5# nut into the back side of T2-2;
- ③ Full range move of throttle handle to check if the throttle movement being blocked by assembly 2. If it does. Loosen the 6# screw, adjust the position of the detent.



## 2.1.2 Assembly 1 and 3 connecting to the base

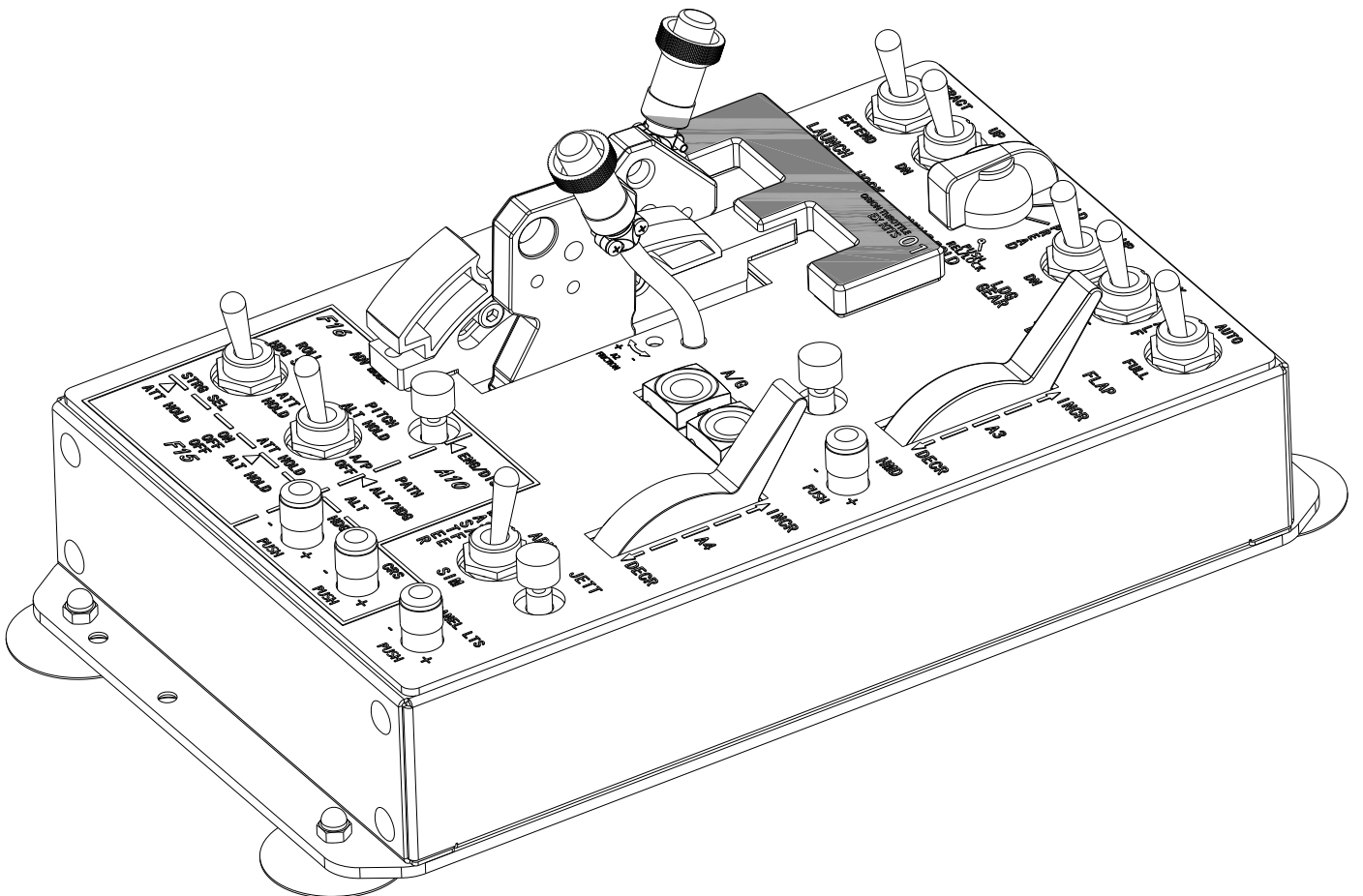
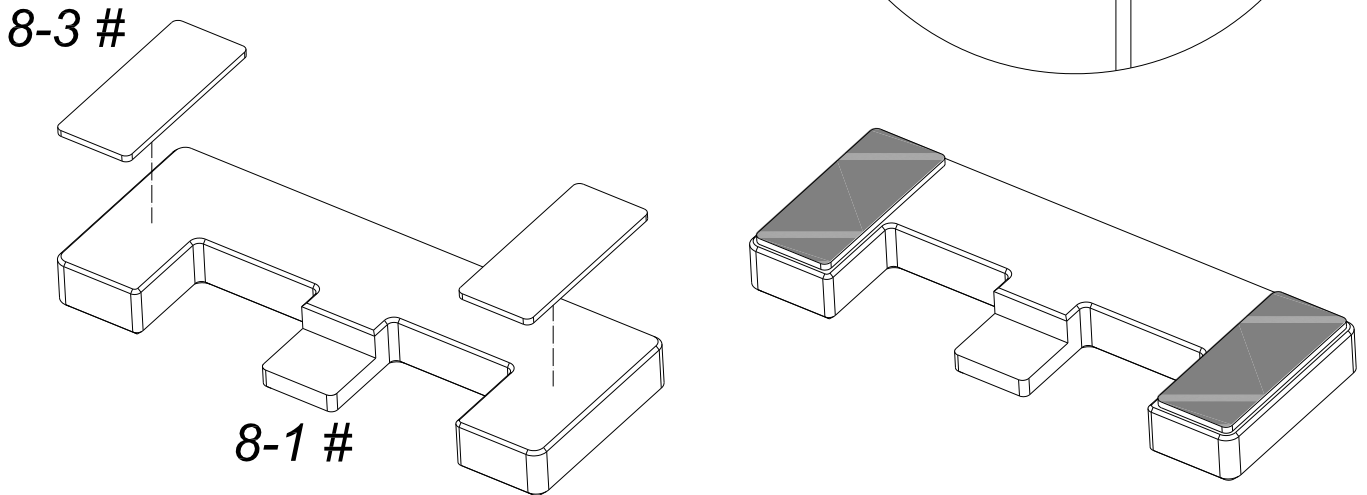
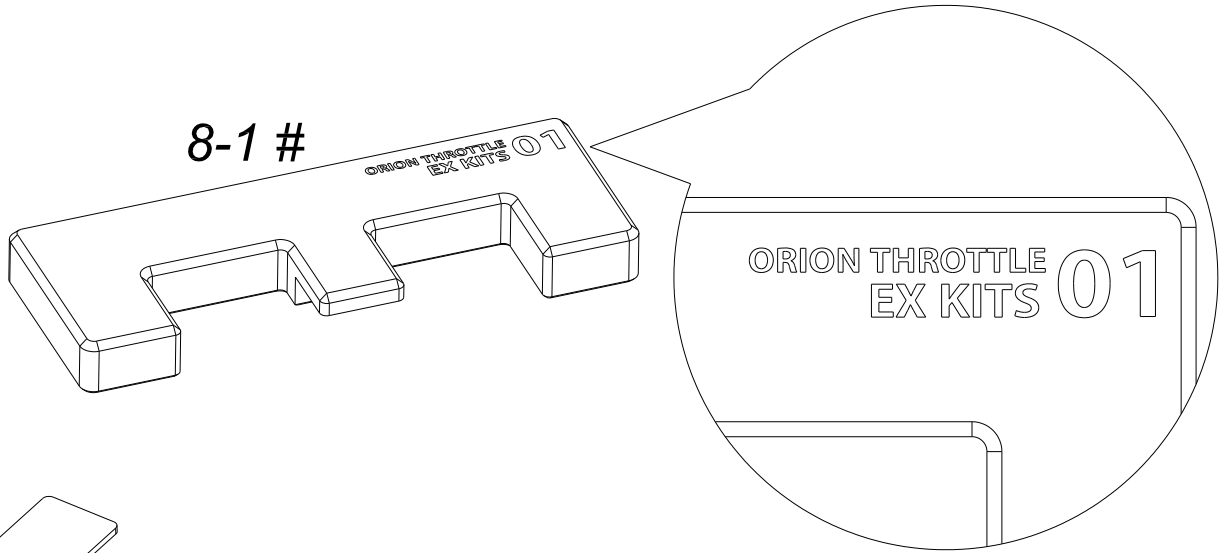






- ① Assembly 3 attached from top to bottom on left side of the base. Use 2 of the 7# screw, do not tighten it up yet;
- ② Assembly 1 attached from top to bottom on left side of the base. Use 2 of the 7# screw, do not tighten it up yet;
- ③ Aligned the grip, engaged the sync-lock. Tighten up the 4 screws;
- ④ Dis-engage the sync-lock, spilt the throttle;
- ⑤ Use the tool (from tool bag) connect the left throttle grip of F18 to assembly 3. Tighten up;
- ⑥ Repeat the process for the opposite side.





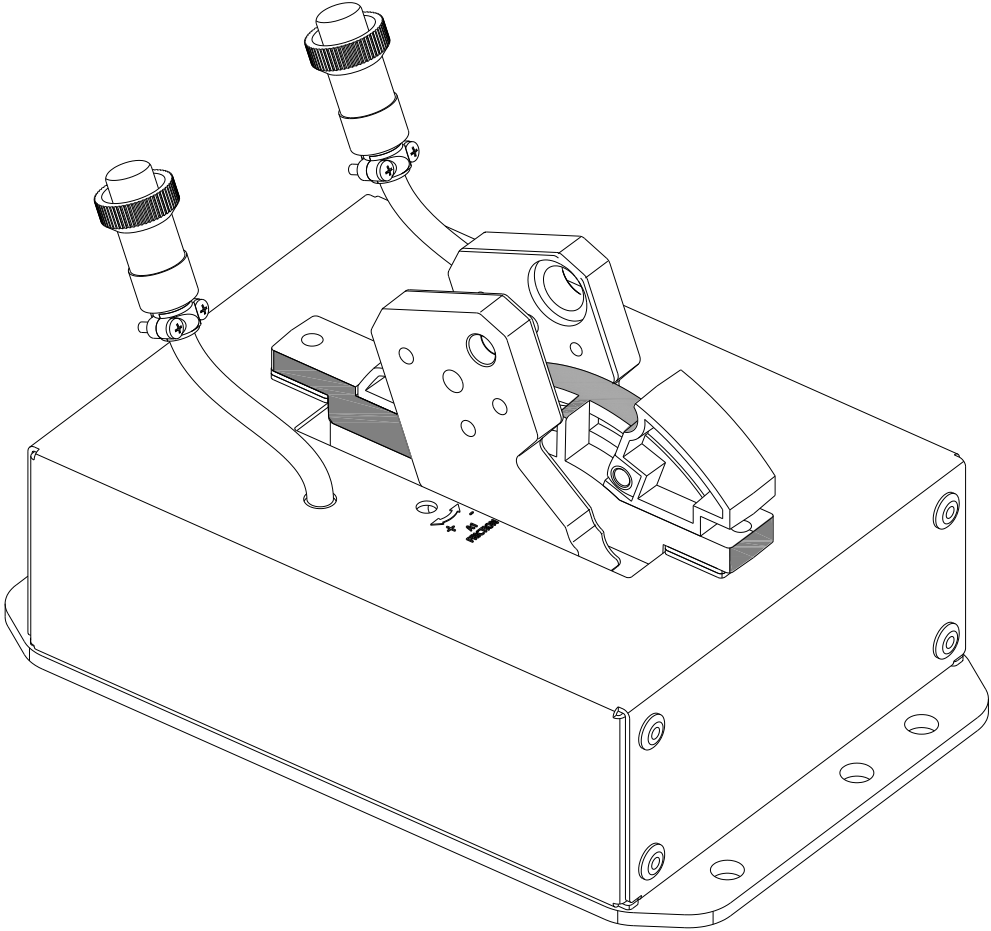
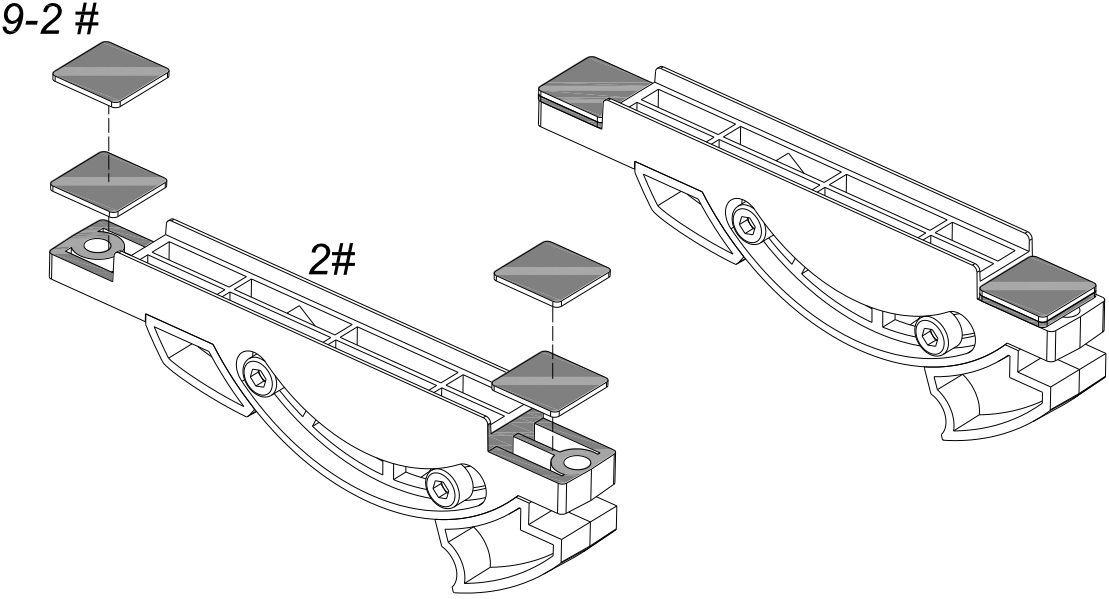
- ① 2 stick pad (8-2#) going to both sides of the assembly 2;
- ② Attached assembly to T2 base. Apply pressure;
- ③ Use 2 stick pad (8-3#) on both side of (8-1#);
- ④ Press the assembly into T2 base. Apply pressure.

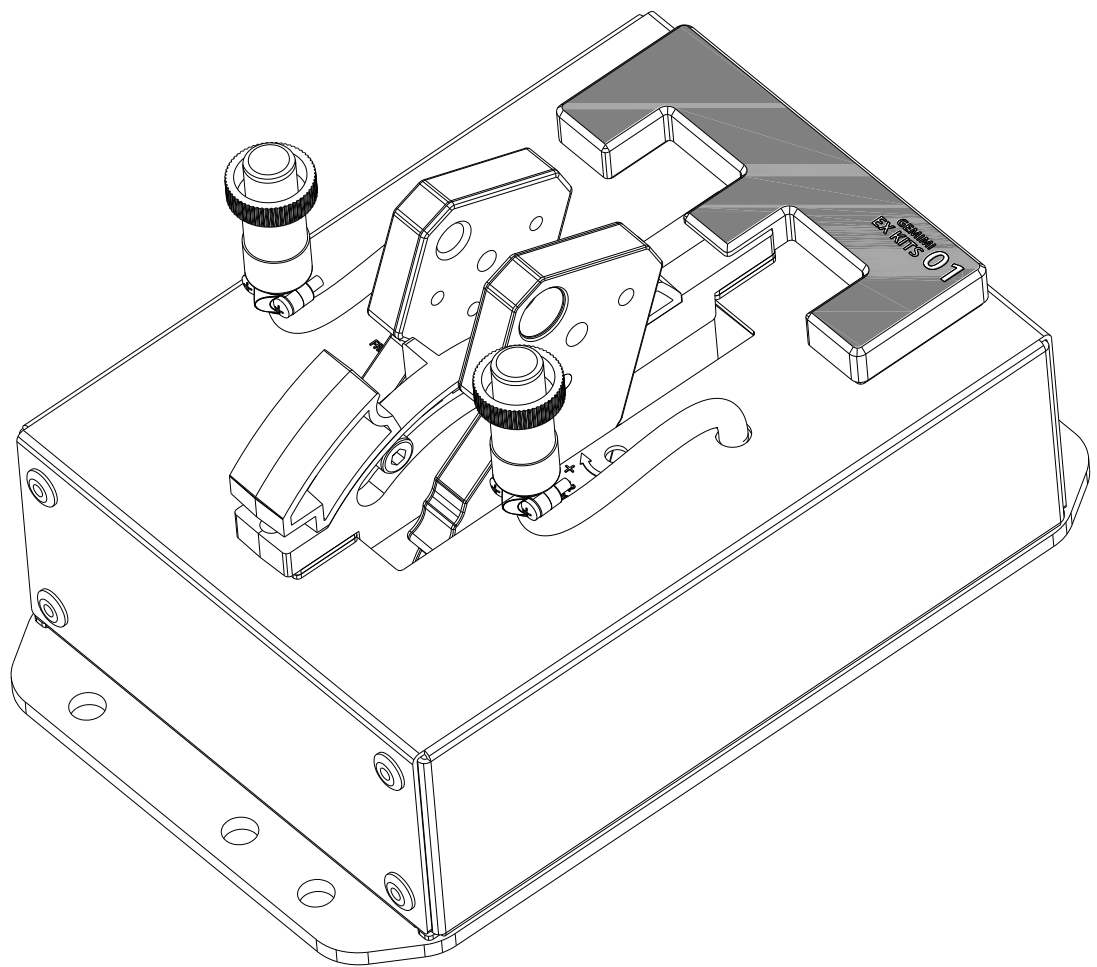
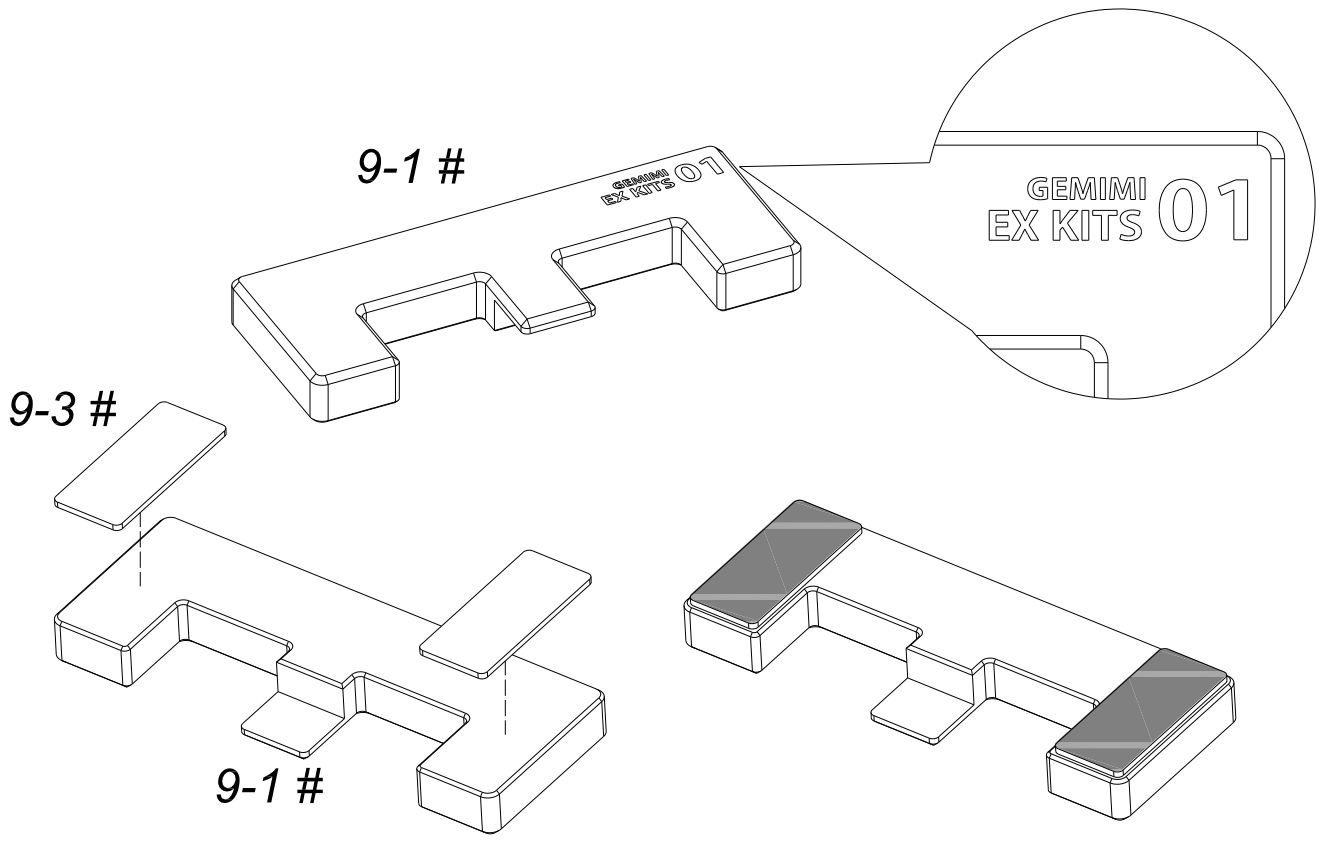
### **2.2.2 Assembly 1, and 3 connecting with base**

Check the chapter 2.1.2.

## 2.3 Connect with T3 \*T2-FL and T3P kit is required

### 2.3.1 Assembly 2 connecting with T3







- ① Use 4 sticker pad (9-2#) on both sides of the assembly 2;
- ② Attached assembly 2 into T3 base;
- ③ Use 2 sticker pad (9-3#) on both side of (9-1#);
- ④ Attached the assembly into t3 base. Apply pressure.

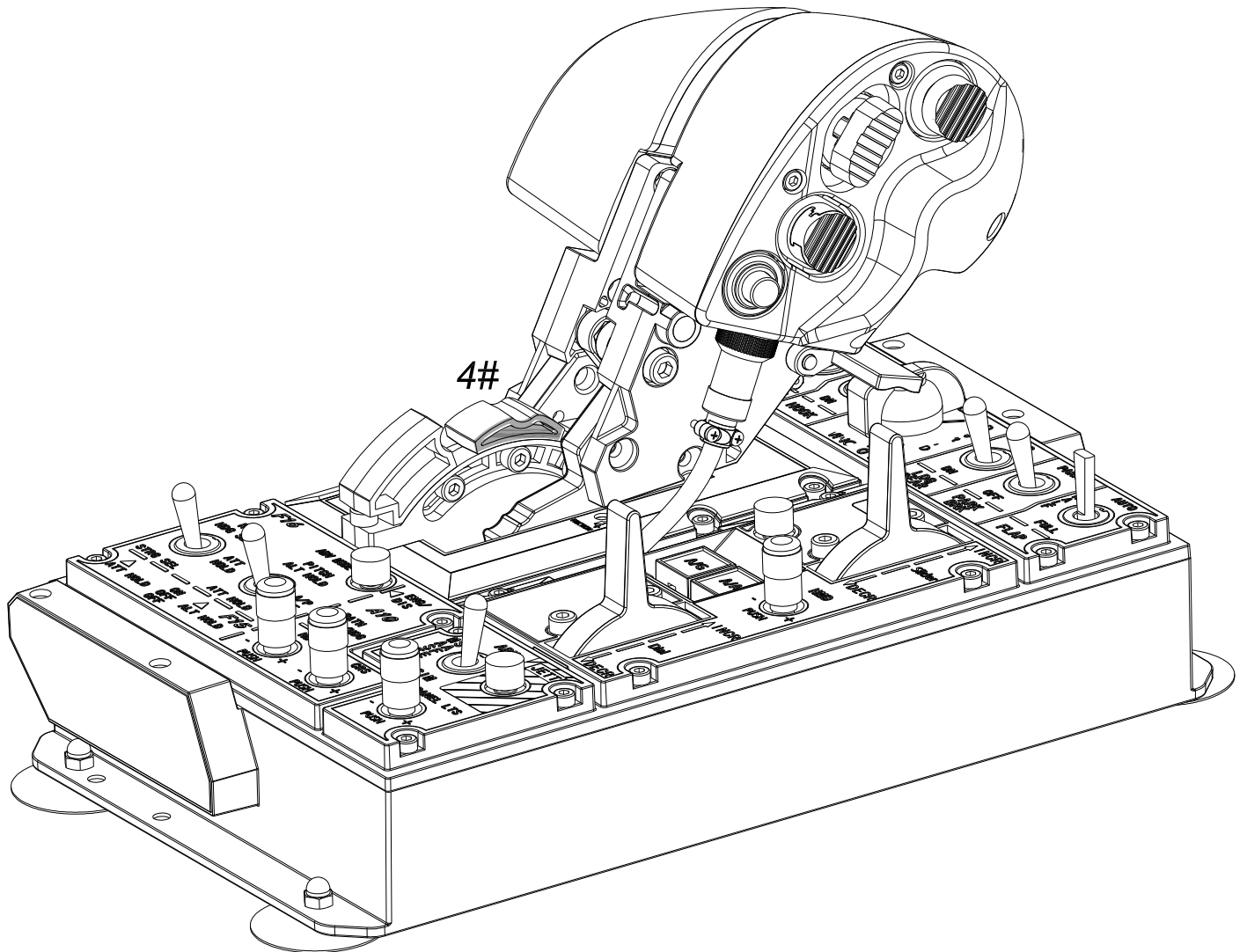
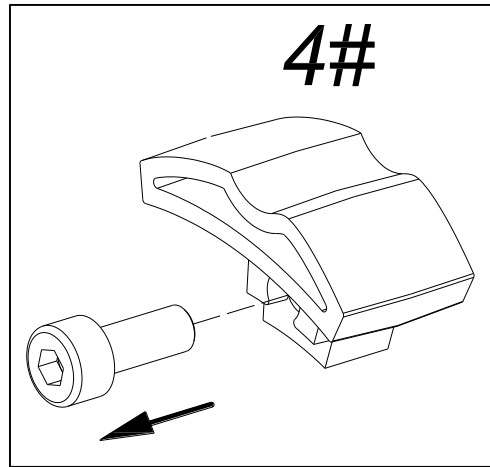
### 2.3.2 Assembly 1,3 connection with base

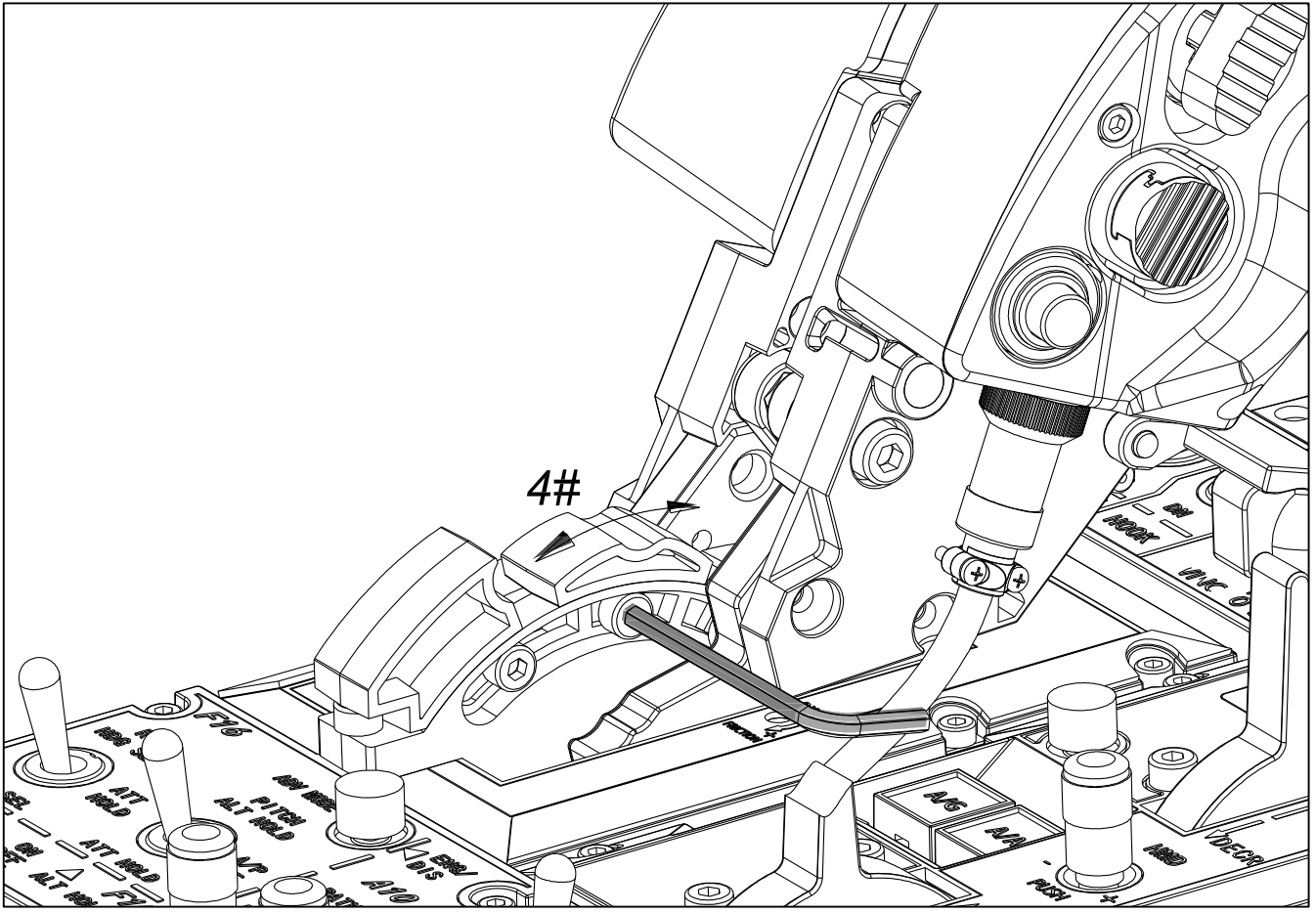
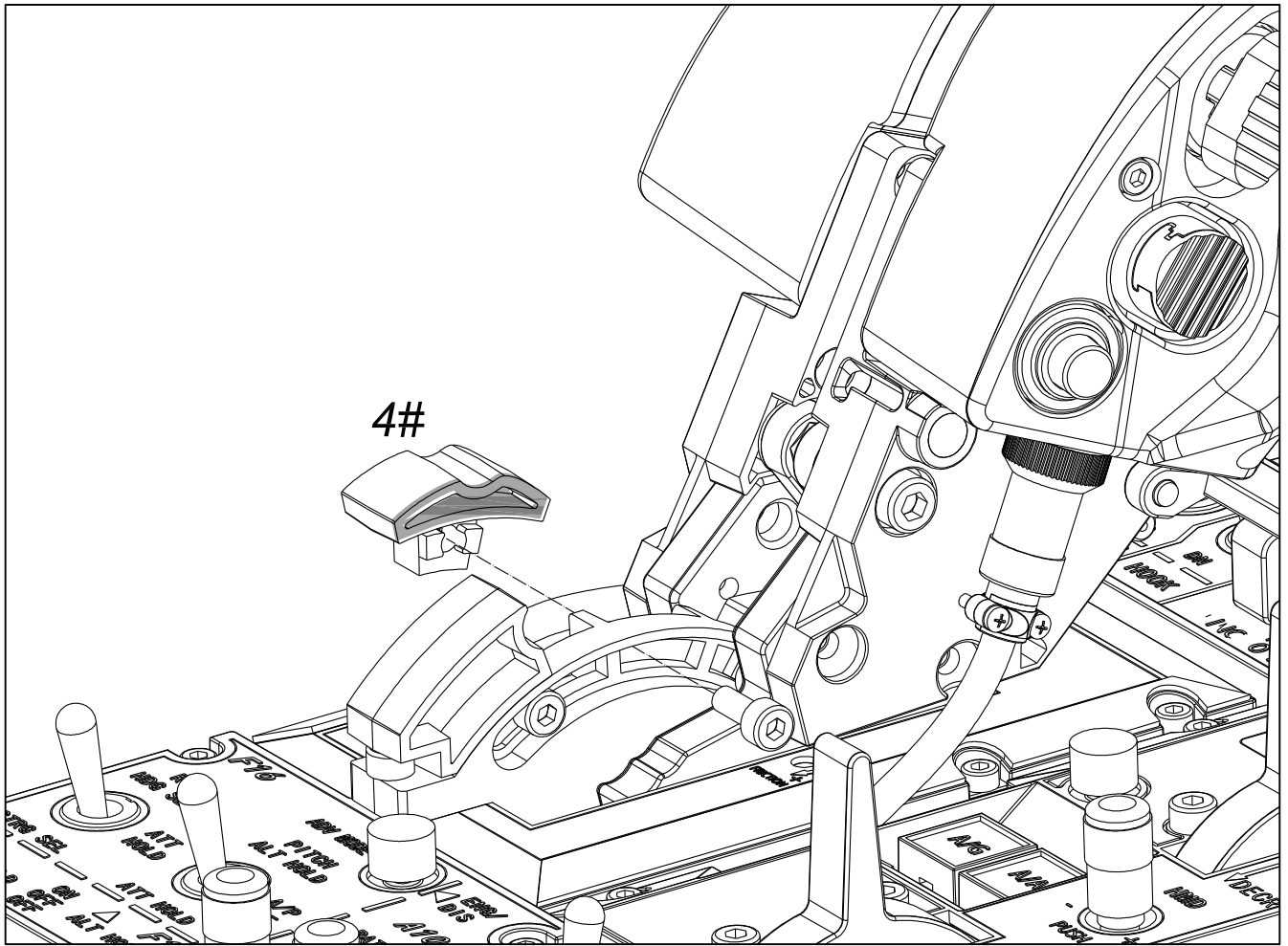
Check chapter 2.1.2.

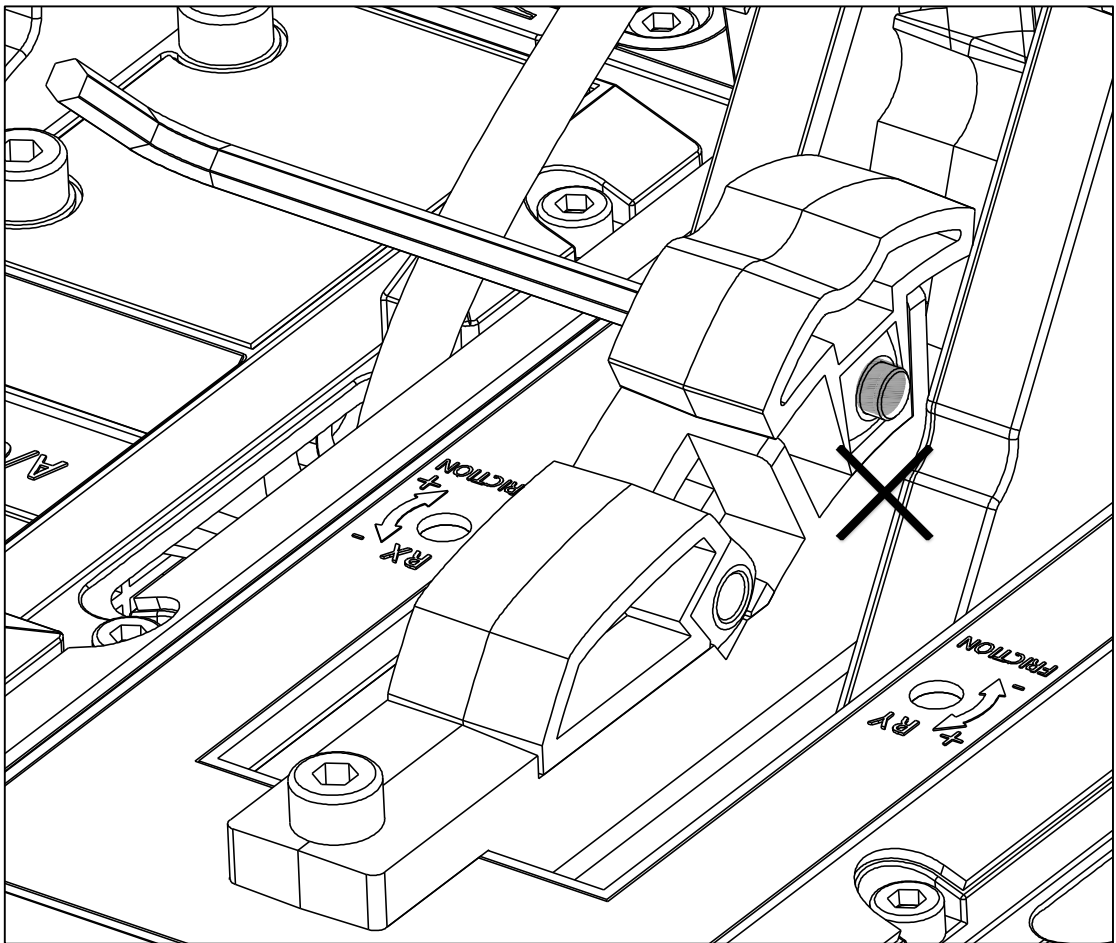
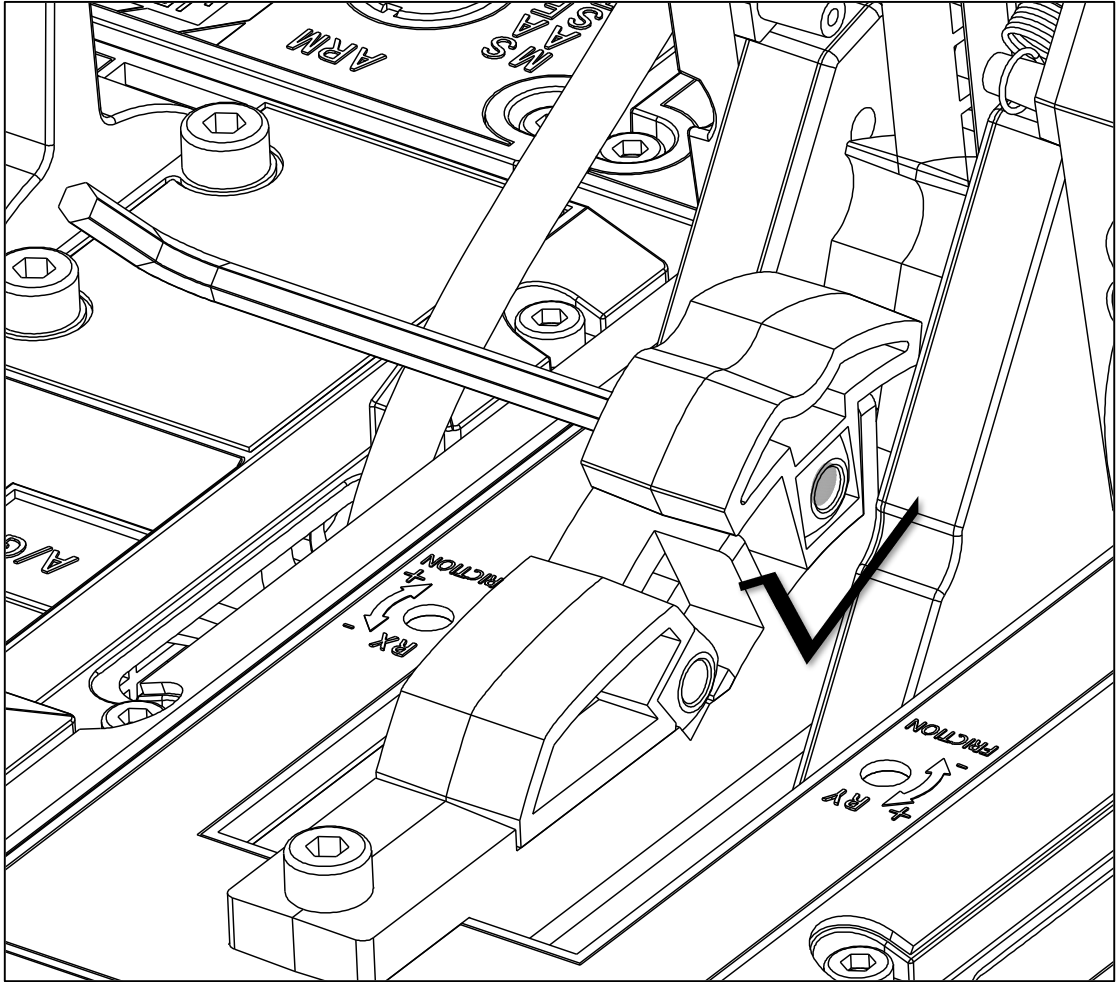
## 3 Adjustment

### 3.1 Center-detent adjustment

\*Its your personal preferences to install this kit.



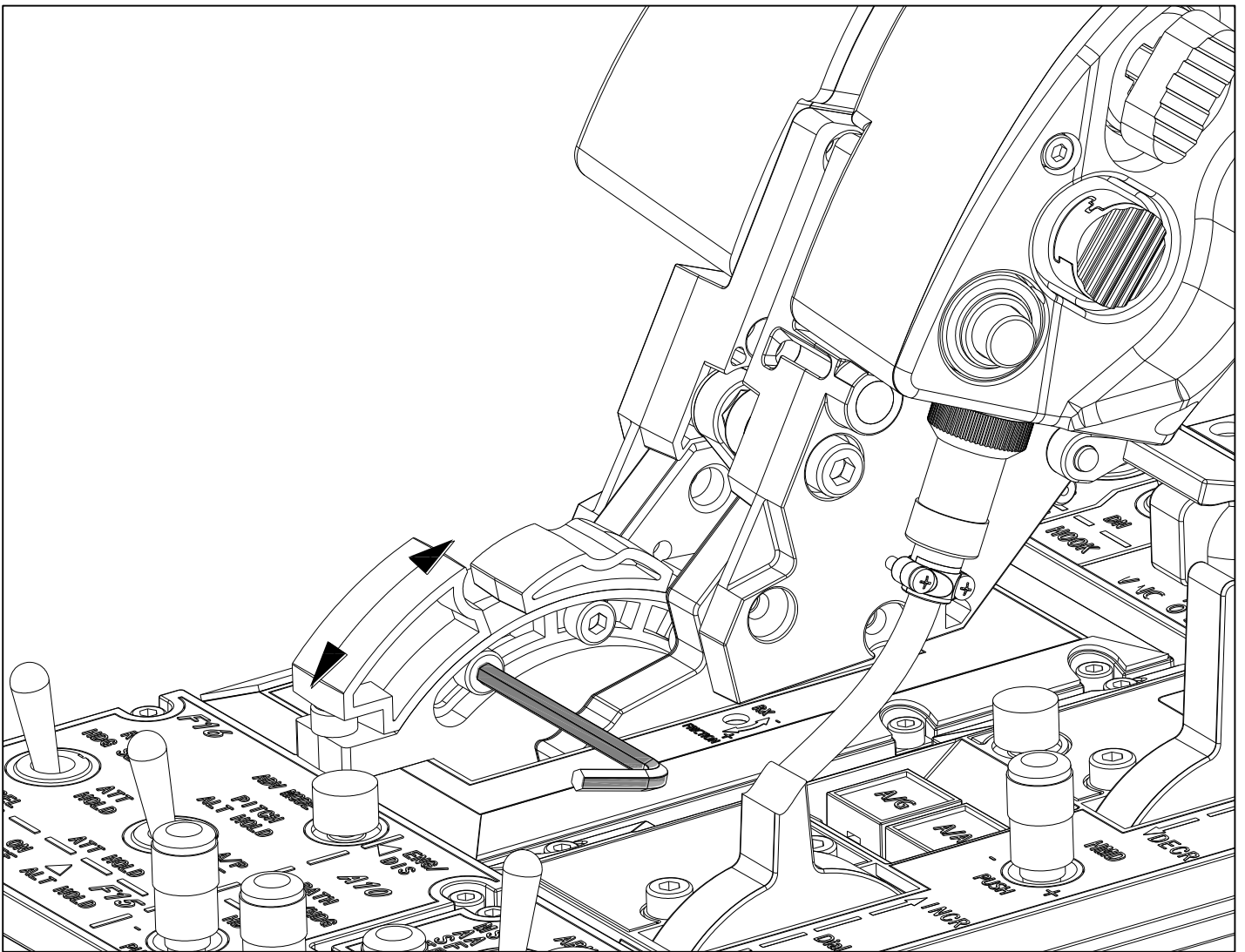


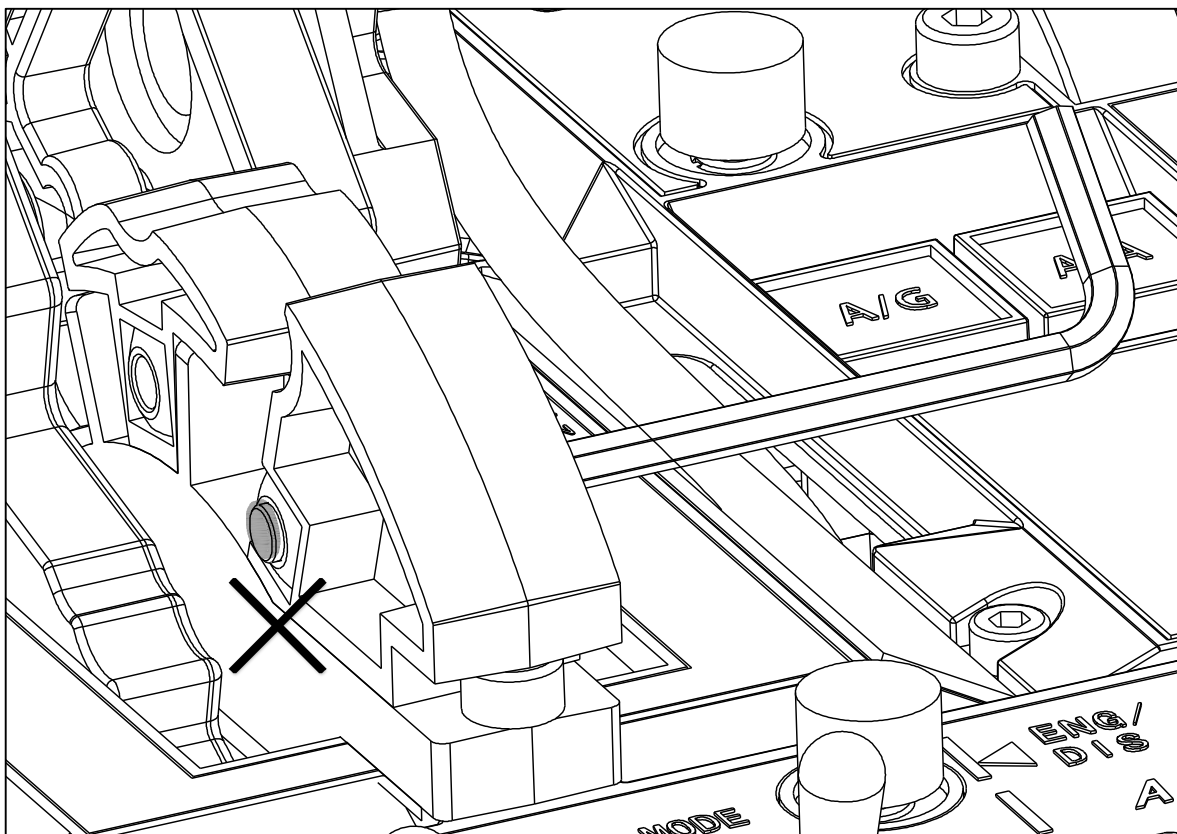
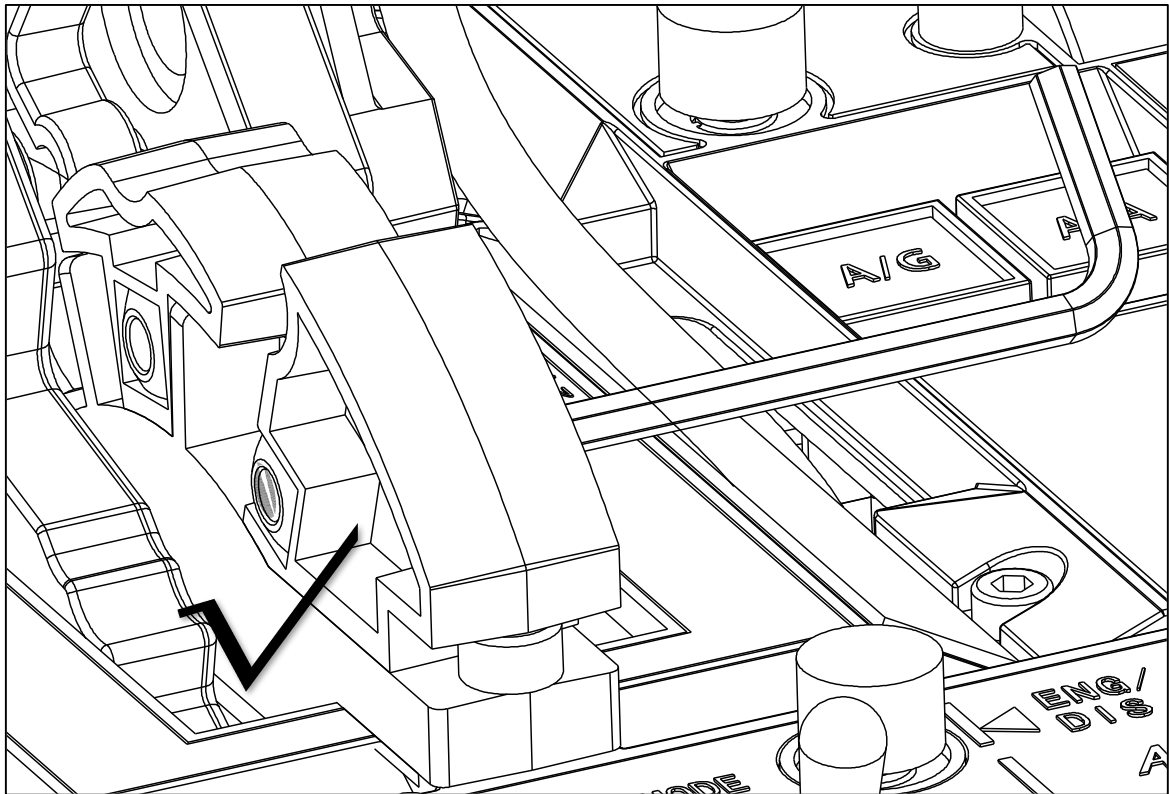


- ① Remove the screw of part 4#, Slide in the detent from left to right into Assembly 2;
- ② Move the center-detent into the position you like. Tighten up the screw; beware not to tighten up the screw as it might apply abnormal pressure to PVC parts to cause it to bend. Tip of the screw should not exceed the detent module or it will scratch the handles;
- ③ Repeat the process for adjustment.

### 3.2 Idle detent adjustment

\*Its your personal preferences to install this kit.

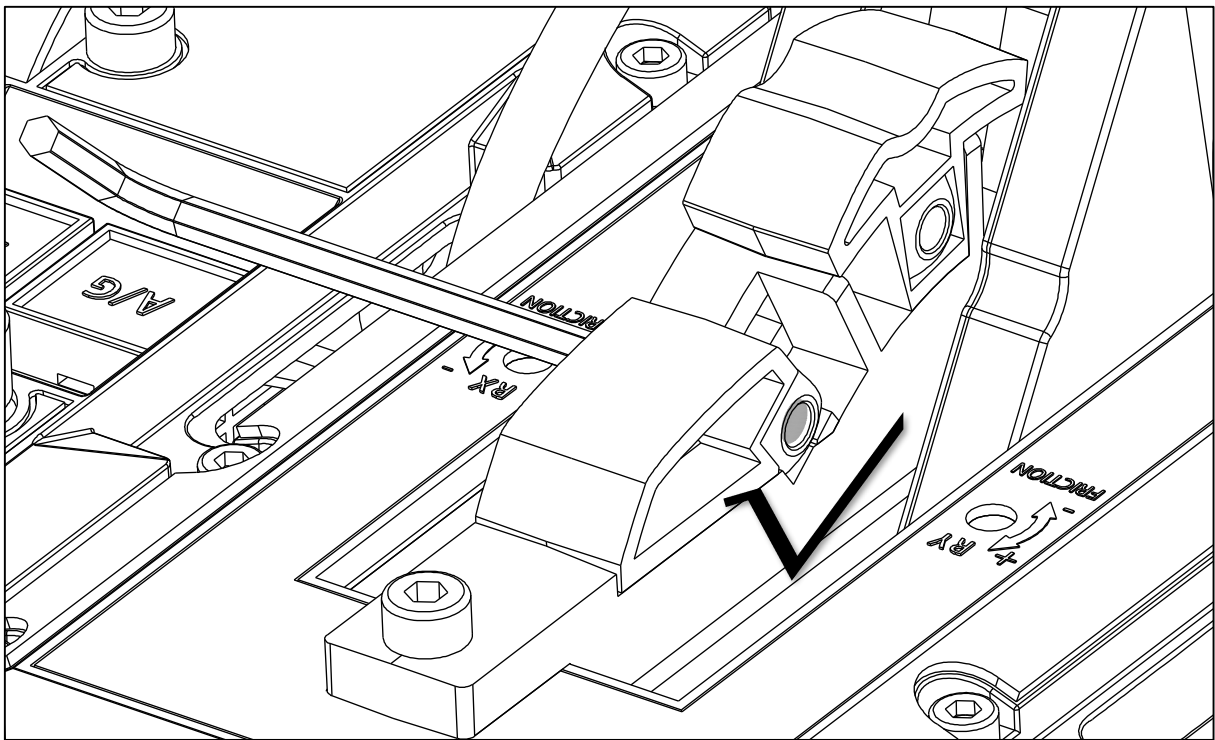
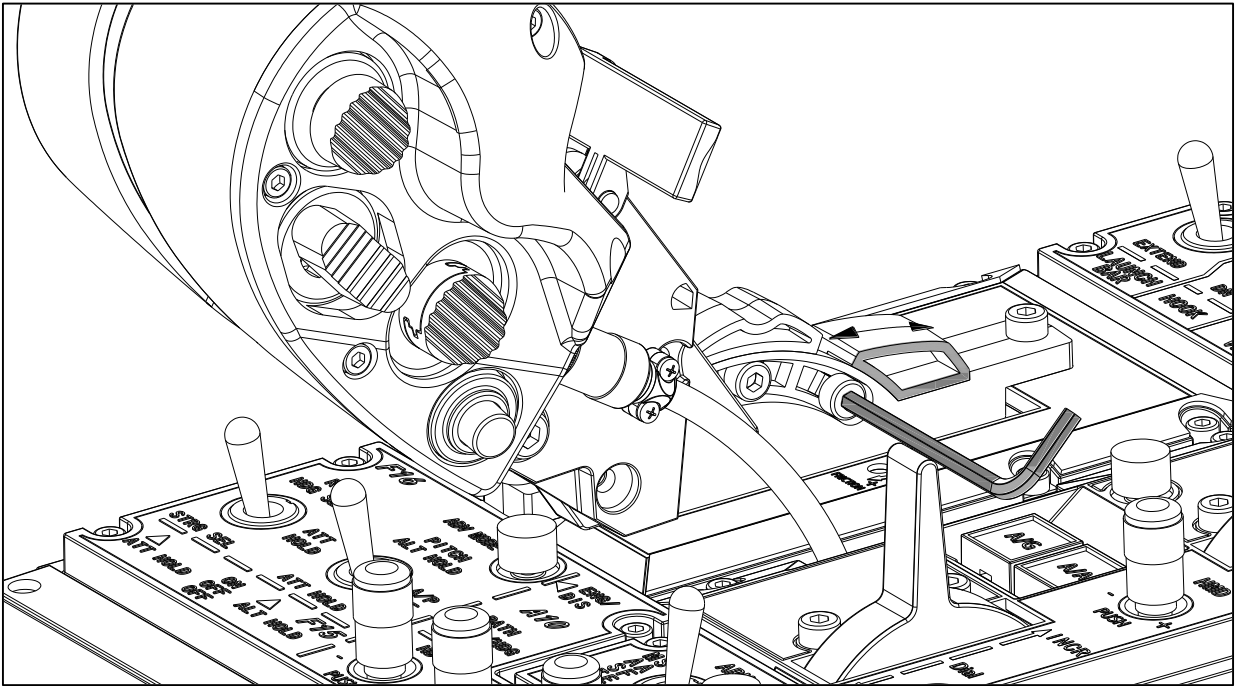


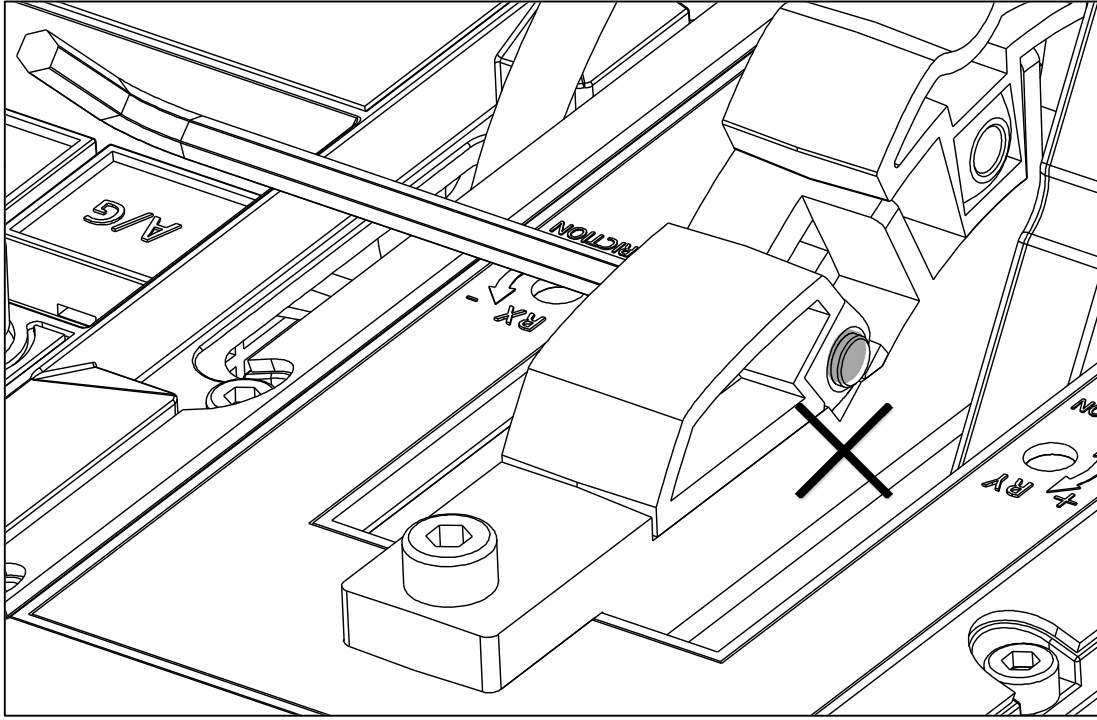


Loose the screw. Move the idle into the position you like. Tighten up the screw; beware not to tighten up the screw as it might apply abnormal pressure to PVC parts to cause it to bend. Tip of the screw should not exceed the detent module or it will scratch the handles.

### 3.3 Afterburner detent adjustment

\*Its your personal preferences to install this kit.





Loose the screw. Move the ab detent into the position you like. Tighten up the screw; beware not to tighten up the screw as it might apply abnormal pressure to PVC parts to cause it to bend. Tip of the screw should not exceed the detent module or it will scratch the handles.

\* This is the final version of the manual,all update will be made online.

成都翼胜科技有限责任公司

[WWW.WINWING.CN](http://WWW.WINWING.CN)

[INFO@WINWING.CN](mailto:INFO@WINWING.CN)

High-tech International Enterprise Zone No.19 Building,Changshengqiao Road

1111#, Piddu District, Chengdu,China 610000